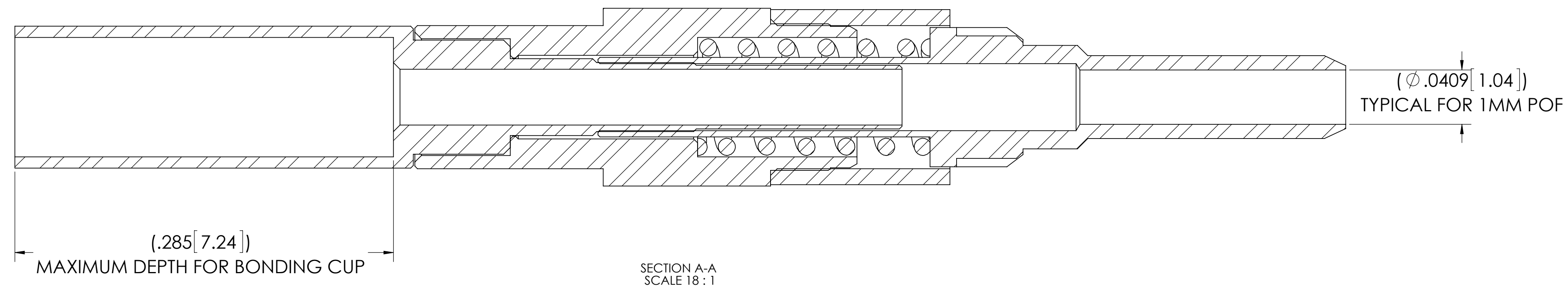
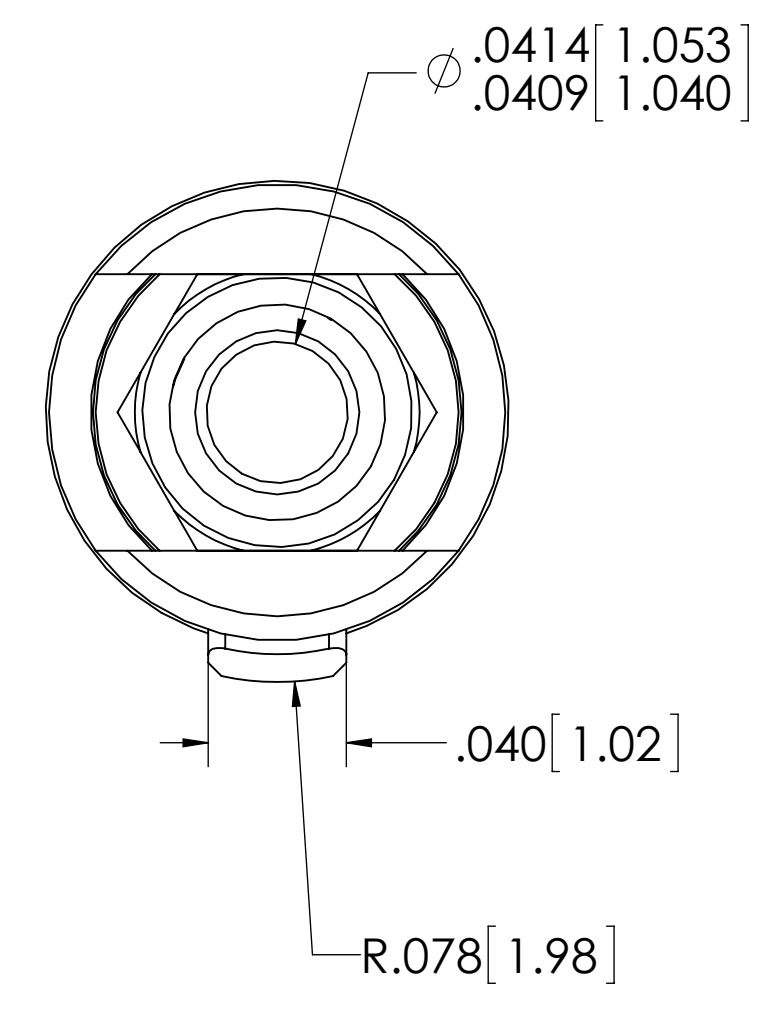
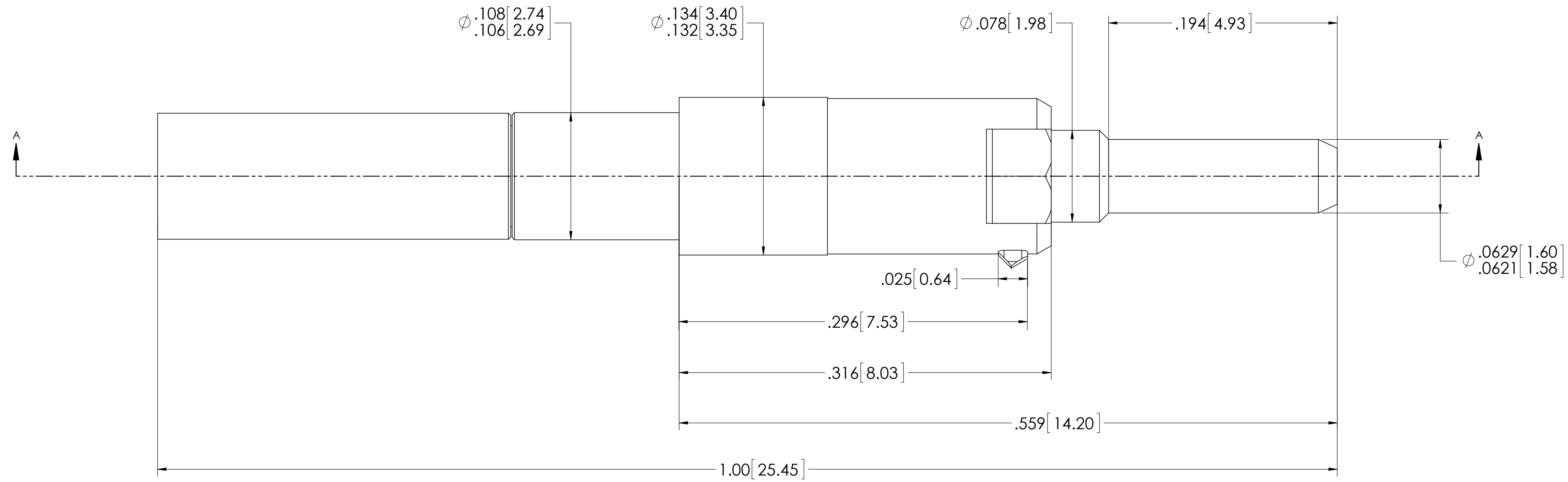
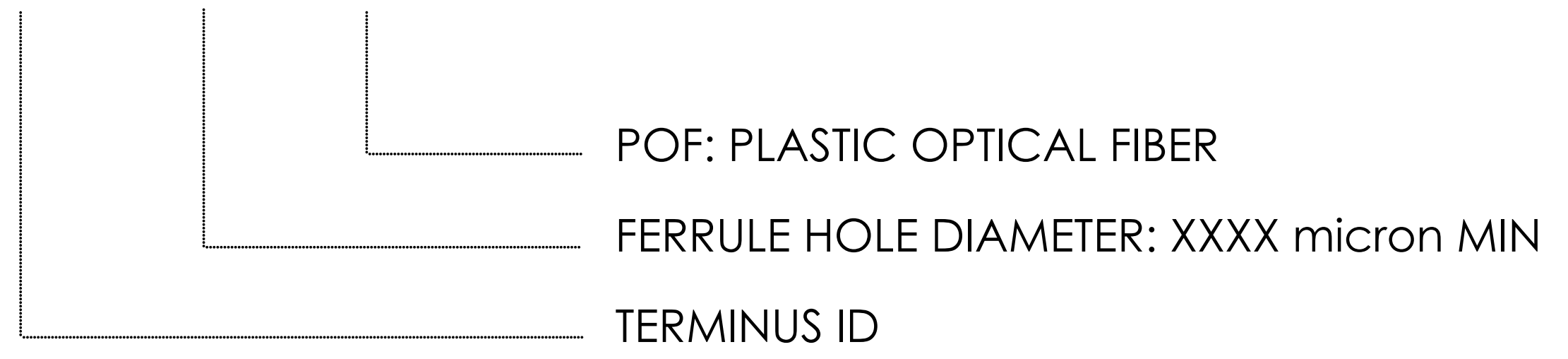


| REVISIONS |      |             |      |          |
|-----------|------|-------------|------|----------|
| ZONE      | REV. | DESCRIPTION | DATE | APPROVED |
|           |      |             |      |          |

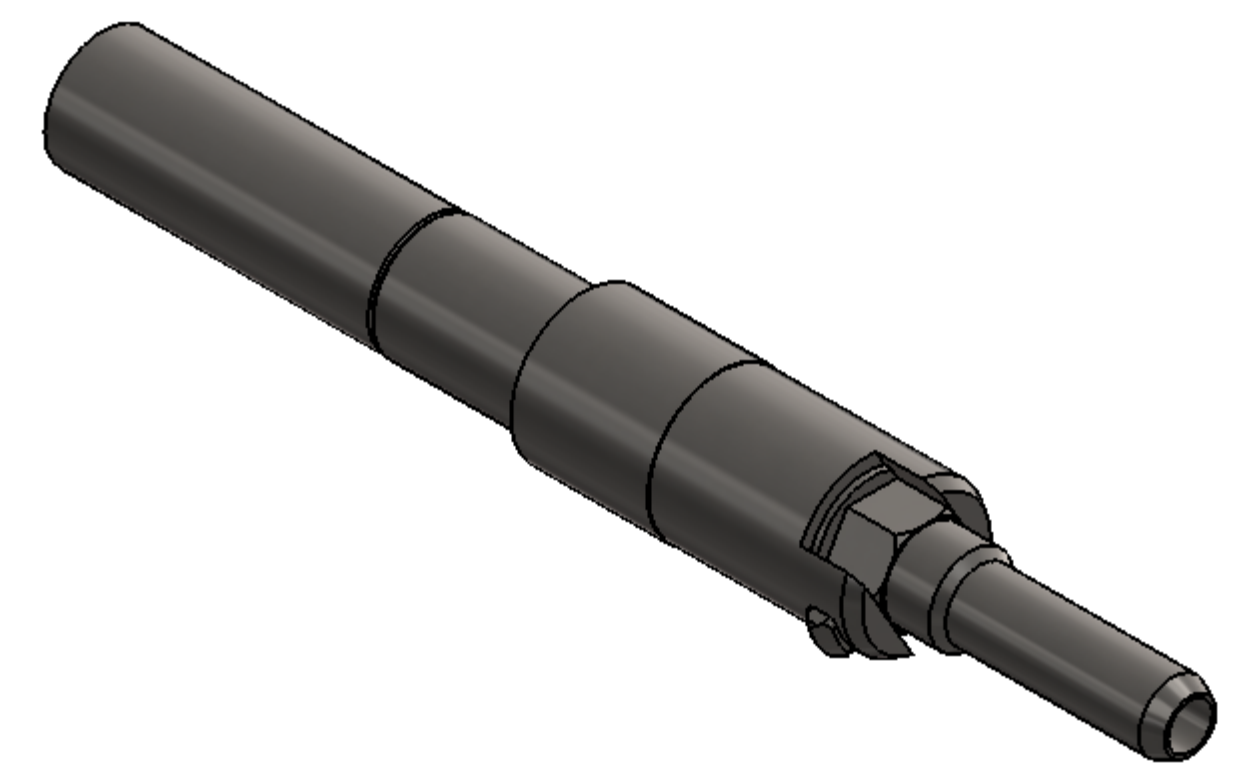


**TERMINUS ASSEMBLY PART NUMBER CONFIGURATION**

TA0002-POF-XXXX



- NOTES UNLESS OTHERWISE SPECIFIED:
- DIMENSIONS ARE IN INCHES [MILLIMETERS]
  - MATERIAL: STAINLESS STEEL
  - FINISH: PASSIVATED
  - PACKAGING: TRAY OR INDIVIDUAL BAG (IF SPECIFIED)
  - THIS DRAWING MAY BE USED FOR SOURCE CONTROL OR MANUFACTURING ACCEPTANCE OF TERMINI AS APPLICABLE TO MANUFACTURING LICENSE FROM NXTCON LLC. APPLICABLE PATENTS MAY APPLY. INQUIRE TO FACTORY



**3D IMAGE FOR REFERENCE ONLY**

**PROPRIETARY AND CONFIDENTIAL**

THE INFORMATION CONTAINED IN THIS DRAWING IS THE SOLE PROPRIETARY OF XIOPTICS. ANY REPRODUCTION IN PART OR AS A WHOLE WITHOUT THE WRITTEN PERMISSION OF XIOPTICS IS PROHIBITED.

UNLESS OTHERWISE SPECIFIED  
DIMENSIONS ARE IN INCHES [MILLIMETERS]  
TOLERANCES ARE:  
DECIMALS .XX = ±0.01  
.XXX = ±0.005  
.XXXX = ±0.0005  
ANGLES = ±1°

| APPROVALS |           | DATE      |
|-----------|-----------|-----------|
| DRAWN     | J. BETKER | 11/6/2016 |
| CHECKED   |           |           |
| RESP ENG  |           |           |
| MFG ENG   |           |           |
| QUAL ENG  |           |           |

| SIZE     | CAGE CODE |
|----------|-----------|
| <b>D</b> |           |

|   |              |
|---|--------------|
| <b>XiOptics, LLC</b>                                  |              |
| <b>TERMINUS ASSEMBLY, ARINC 801 POF, CUSTOMER USE</b> |              |
| DWG. No.  | REV.         |
| <b>TA0002-POF</b>                                     | <b>P1</b>    |
| SCALE: 12:1   | SHEET 1 OF 1 |