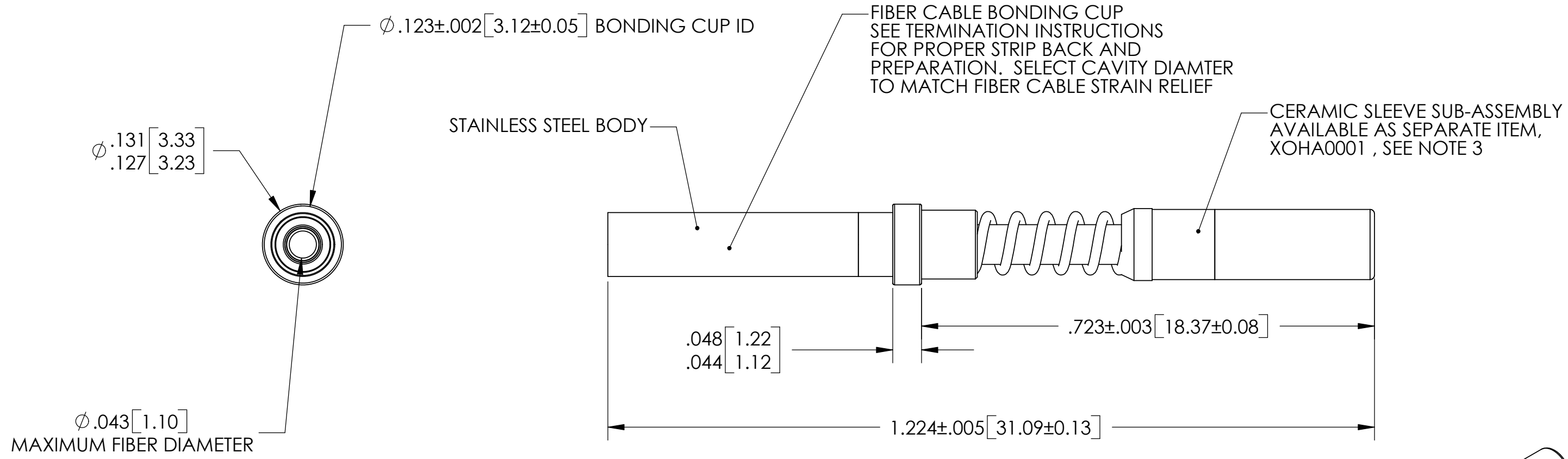


XIOPTICS RESERVES THE RIGHT TO CHANGE THIS DOCUMENT WITHOUT NOTICE. THIS DOCUMENT IS INTENDED TO AID ONLY IN ORDERING XIOPTICS MATERIALS AND SHOULD BE CONSIDERED FOR REFERENCE ONLY.



$\phi .043 [1.10]$
MAXIMUM FIBER DIAMETER

UNLESS OTHER SPECIFIED:

- 1) ALL METALLIC COMPONENTS ARE CRS ALLOY, PASSIVATED
- 2) ALL CERAMIC COMPONENTS ARE ZIRCONIA
- 3) SOCKET ASSEMBLY SHIPPED WITH REMOVAL BE HOOD ASSEMBLY INSTALLED, IF INDIVIDUAL HOOD ASSEMBLIES ARE REQUIRED ORDER P/N XOHA0001

UNLESS OTHERWISE SPECIFIED:		NAME	DATE	XiOptics LLC
DIMENSIONS ARE IN INCHES AND [MM]		DRAWN	1/15/06	
TOLERANCES:		CHECKED		TITLE: XOS29504/7 ASSEMBLY CUSTOMER USE, SOCKET PLASTIC OPTICAL FIBER
ANGULAR: MACH ± 1 BEND ± 3		ENG APPR.		
TWO PLACE DECIMAL ± .01 THREE PLACE DECIMAL ± .005 FOUR PLACE DECIMAL ± .0005		MFG APPR.		
INTERPRET GEOMETRIC TOLERANCING PER: ANSI Y14.5M		Q.A.		SIZE DWG. NO. REV B XOPOFS0002CU CU1
MATERIAL SEE NOTES		COMMENTS:		
FINISH SEE NOTES				SCALE: 4:1 WEIGHT: SHEET 1 OF 1
DO NOT SCALE DRAWING				