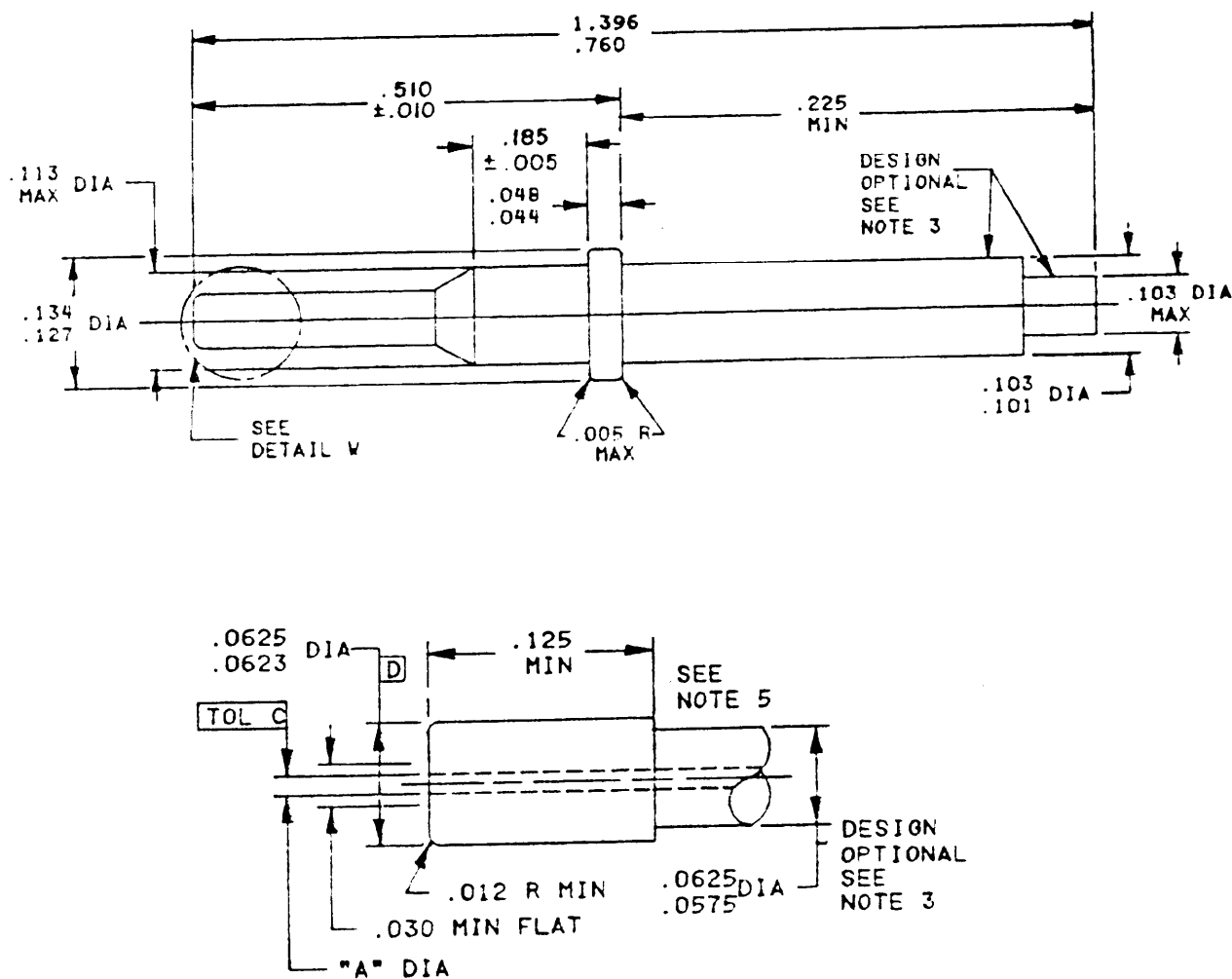


MILITARY SPECIFICATION SHEET

TERMINI, FIBER OPTIC, ENVIRONMENT RESISTING, CLASS 5, TYPE II,
STYLE A, PIN TERMINUS, SIZE 16, REAR RELEASE
DOD-C-83527

This specification is approved for use by all Departments and Agencies of the Department of Defense.

The requirements for acquiring the termini described herein shall consist of this specification and the latest issue of MIL-T-29504.



DETAIL W

FIGURE 1. Pin terminus.

Inches	mm	Inches	mm
.005	0.13	.113	2.87
.012	0.30	.125	3.18
.030	0.76	.127	3.23
.044	1.12	.134	3.40
.048	1.22	.190	4.83
.0575	1.461	.225	5.72
.0625	1.588	.520	13.21
.0625	1.588	.760	19.30
.101	2.57	1.396	35.46
.103	2.62		

NOTES:

1. Dimensions are in inches.
2. Metric equivalents are given for general information only.
3. All diameters to be concentric within 0.003 inch unless otherwise indicated.
4. Dimensions apply after plating.
5. "B" is defined as the tolerance on the "A" diameter hole.

FIGURE 1. Pin terminus - Continued.

REQUIREMENTS:

Design and construction:

Dimensions and configuration: See figure 1 and table I.

Weight: 100 grams.

Tools: See table II.

Mating termini: MIL-T-29504/7.

Part number: See figure 1 and table I. Part number M29504/6- (dash number from table I.)

Marking: Part number or TICC designation shall be marked on the barrel of termini.

TABLE I. "A" diameter hole for optical waveguide fiber and part number designation.

TICC M29504/6	"A" diameter		Tolerance		Fiber size Core/clad μ	Terminus Size
	μ	Inch (reference)	Circular runout *	$\frac{\text{Max } B + C}{2}$ (inch) μ		
4051	124.5+B -0	(.0049+B) -0	C		50/125	16
4052	127.0+B -0	(.0050+B) -0	C	(.00059) 15		
4053	129.5+B -0	(.0051+B) -0	C			
4054	139.5+B -0	(.0055+B) -0	C		100/140	16
4055	142.0+B -0	(.0056+B) -0	C	(.00059) 15		
4056	145.0+B -0	(.0057+B) -0	C			

Dimensions in () are inches. * as defined by ANSI/ASME Y 14.5 M - 1982.

TABLE II. Tools.

End size	Insertion tool	Removal tool
16	M81969/14-03	M81969/14-03

CONCLUDING MATERIAL

Custodians:

Army - CR
Navy - EC
Air Force - 85

Review activities:

Navy - MC, SH
Air Force - 11, 17, 19, 80, 90, 99

User activities:

Navy - OS, YD

Preparing activity:
Air Force - 85

Agent:
DLA - ES

(Project 6060-0068-1)