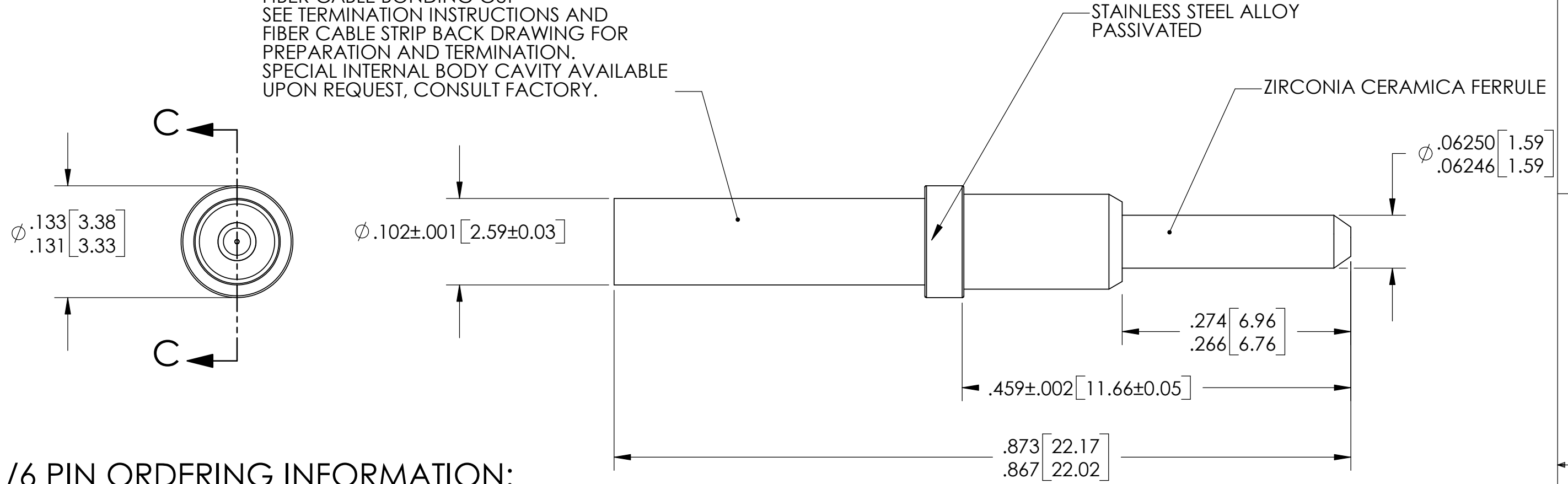


XIOPTICS RESERVES THE RIGHT TO CHANGE ANY OR ALL OF THIS DOCUMENT WITHOUT NOTIFICATION. INFORMATION IN THIS DOCUMENT SHOULD BE CONSIDERED REFERENCE ONLY

FIBER CABLE BONDING CUP  
SEE TERMINATION INSTRUCTIONS AND FIBER CABLE STRIP BACK DRAWING FOR PREPARATION AND TERMINATION. SPECIAL INTERNAL BODY CAVITY AVAILABLE UPON REQUEST, CONSULT FACTORY.



29504 /6 PIN ORDERING INFORMATION:

XOP29504-6-SM-900-1255-Q

SM: SINGLE MODE  
MM: MULTI MODE

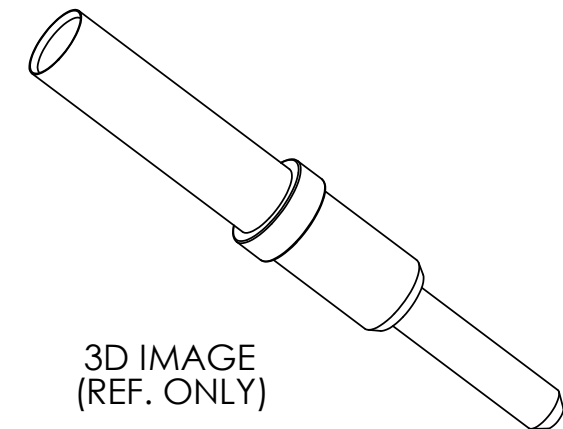
Q: QPL  
C: COTS

P/N	DESCRIPTION
900	900 MICRON JACKET FIBER
2200	1.2MM JACKET FIBER
2200	1.8MM JACKET FIBER
2200	2.0MM JACKET FIBER

FIBER JACKET DIAMETER

P/N	DESCRIPTION
1250	125.0 FERRULE
1255	125.5 FERRULE
1260	126.0 FERRULE
1270	127.0 FERRULE
1560	156.0 FERRULE
1420	142.0 FERRULE
1730	173.0 FERRULE
2360	236.0 FERRULE

FERRULE FIBER HOLE DIAMETER



3D IMAGE (REF. ONLY)

UNLESS OTHERWISE SPECIFIED:		NAME	DATE	<b>XiOptics, LLC</b>		
DIMENSIONS ARE IN INCHES AND [MM]		DRAWN				TITLE:
TOLERANCES:		CHECKED		ASSEMBLY, 29504 PIN CUSTOMER USE		
ANGULAR: MACH ± 1 BEND ± 3		ENG APPR.				
TWO PLACE DECIMAL ± .01		MFG APPR.				
THREE PLACE DECIMAL ± .005		Q.A.		SIZE	DWG. NO.	REV
FOUR PLACE DECIMAL ± .0005		COMMENTS:		<b>B</b>	XOPA0002	CU1
INTERPRET GEOMETRIC TOLERANCING PER: ANSI Y14.5M				SCALE: CADWEIGHT:		SHEET 1 OF 1
MATERIAL						
FINISH						
DO NOT SCALE DRAWING						