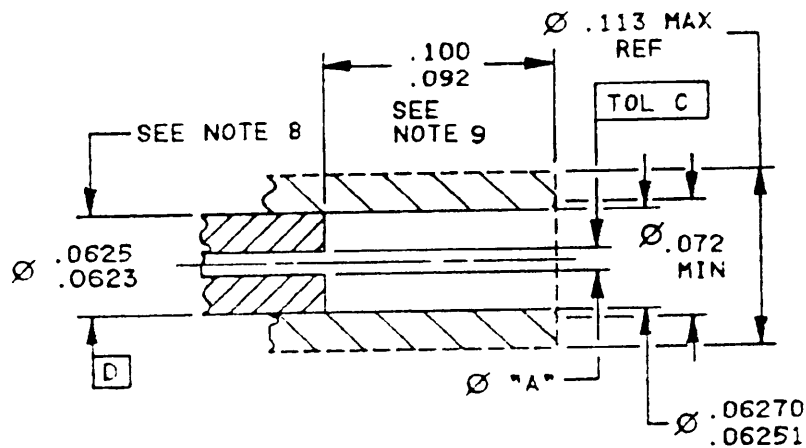
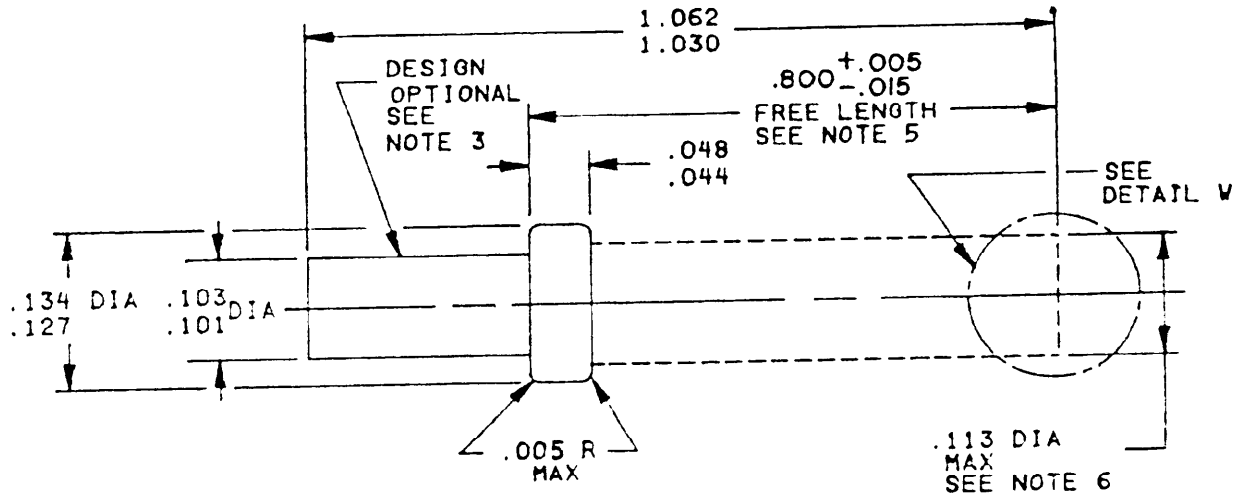


MILITARY SPECIFICATION SHEET

TERMINI, FIBER OPTIC, ENVIRONMENT RESISTING, CLASS 5, TYPE II,
 STYLE A, SOCKET TERMINUS, SIZE 16, REAR RELEASE
 DOD-C-83527

This specification is approved for use by all Departments and Agencies of the Department of Defense.

The requirements for acquiring the termini described herein shall consist of this specification and the latest issue of MIL-T-29504.



DETAIL W DESIGN OPTIONAL
 SEE NOTE 7

FIGURE 1. Socket terminus.

inches	mm	inches	mm
.005	0.13	.101	2.57
.0323	0.820	.103	2.62
.044	1.12	.113	2.87
.048	1.22	.127	3.23
.0625	1.588	.134	3.40
.06251	1.5878	.805	20.45
.06270	1.5926	1.030	26.16
.072	1.83	1.062	26.97
.092	2.34		
.100	2.54		

NOTES:

1. Dimensions are in inches.
2. Metric equivalents are given for general information only.
3. All diameters to be concentric within 0.003 inch unless otherwise indicated.
4. Dimensions apply after plating when applicable.
5. Free length prior to installation in the connector.
6. Alignment sleeve and body design optional, not to exceed maximum envelope dimensions.
7. For alternate split sleeve design, engaging force shall be less than preload spring force (I.D. tolerance does not apply).
8. Alignment surface O.D. shall be concentric with "A" diameter in accordance with table 1.
9. This measurement should be taken only after the complete termination procedure is completed and the alignment sleeve properly assembled.
10. "B" is defined as the tolerance on the "A" diameter.

FIGURE 1. Socket terminus - Continued.

REQUIREMENTS:

Design and construction:

Dimensions and configuration: See figure 1 and table I.

Weight: 100 grams.

Tools: See table II.

Mating termini: MIL-T-29504/6.

Part number: See figure 1 and table I. Part number M29504/7- (dash number from table I.)

Marking: Part number or TICC designation shall be marked on the barrel of termini.

TABLE I. "A" diameter hole for optical waveguide
fiber and part number designation.

TICC M29504/7	"A" diameter		Tolerance		Fiber size Core/clad μ	Terminus Size
	μ	Inch (reference)	Circular runout *	Max $\frac{B+C}{2}$ (inch)μ		
4057	124.5+B -0	(.0049+B) -0	C		50/125	16
4058	127.0+B -0	(.0050+B) -0	C	(.00059) 15		16
4059	129.5+B -0	(.0051+B) -0	C			16
4060	139.5+B -0	(.0055+B) -0	C		100/140	16
4061	142.0+B -0	(.0056+B) -0	C	(.00059) 15		16
4062	145.0+B -0	(.0057+B) -0	C			16

Dimensions in () are inches. * as defined by ANSI/ASME Y 14.5 M - 1982.

TABLE II. Tools.

End size	Insertion tool	Removal tool
16	M81969/14-03	M81969/14-03

CONCLUDING MATERIAL

Custodians:

Army - CR
Navy - EC
Air Force - 85

Review activities:

Navy - MC, SH
Air Force - 11, 17, 19, 80, 90, 99

User activities:

Navy - OS, YD

Preparing activity:
Air Force - 85

Agent:
DLA - ES

(Project 6060-0068-2)